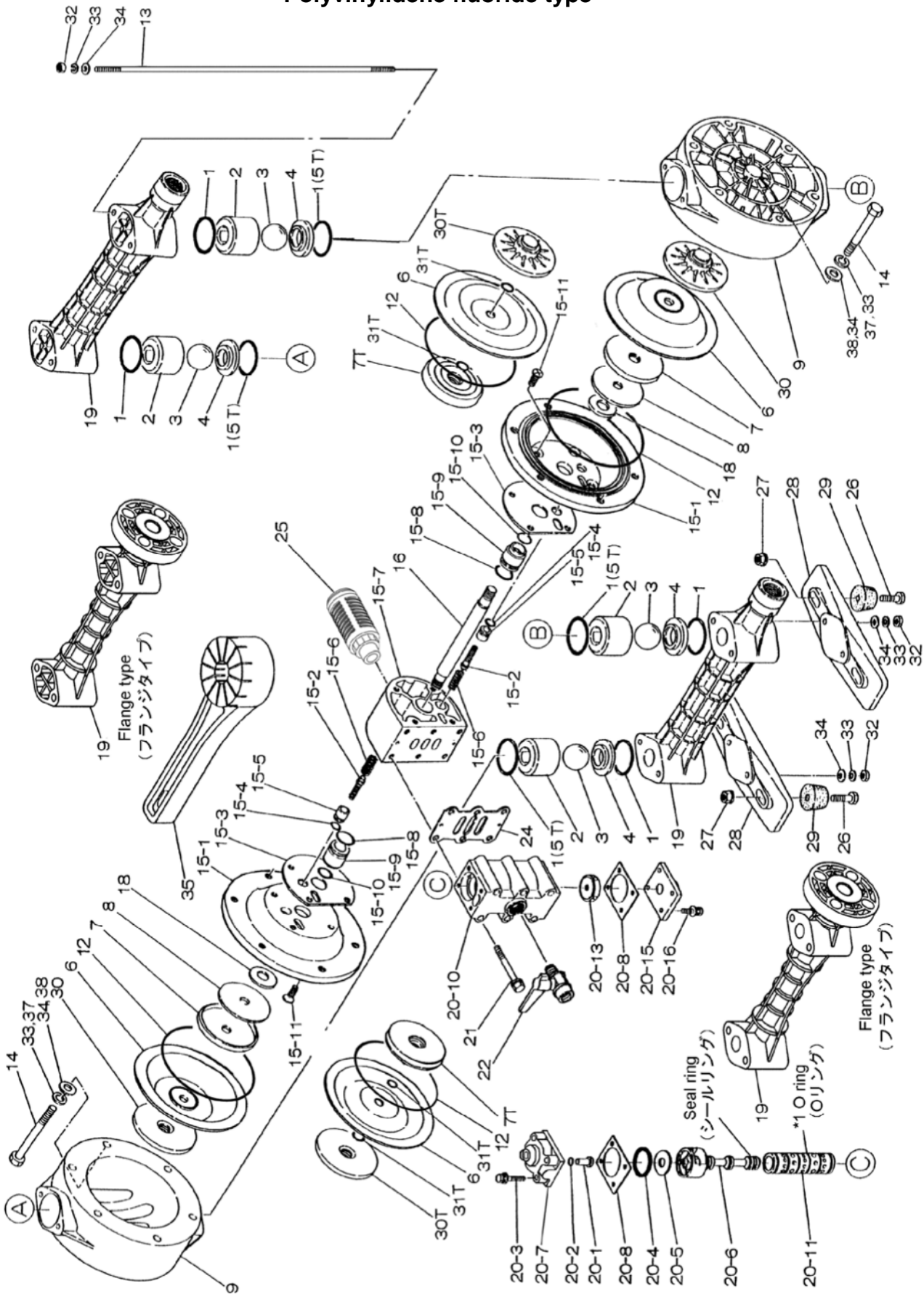


Fluid contact Portion : Polypropylene type
 Polyvinylidene fluoride type



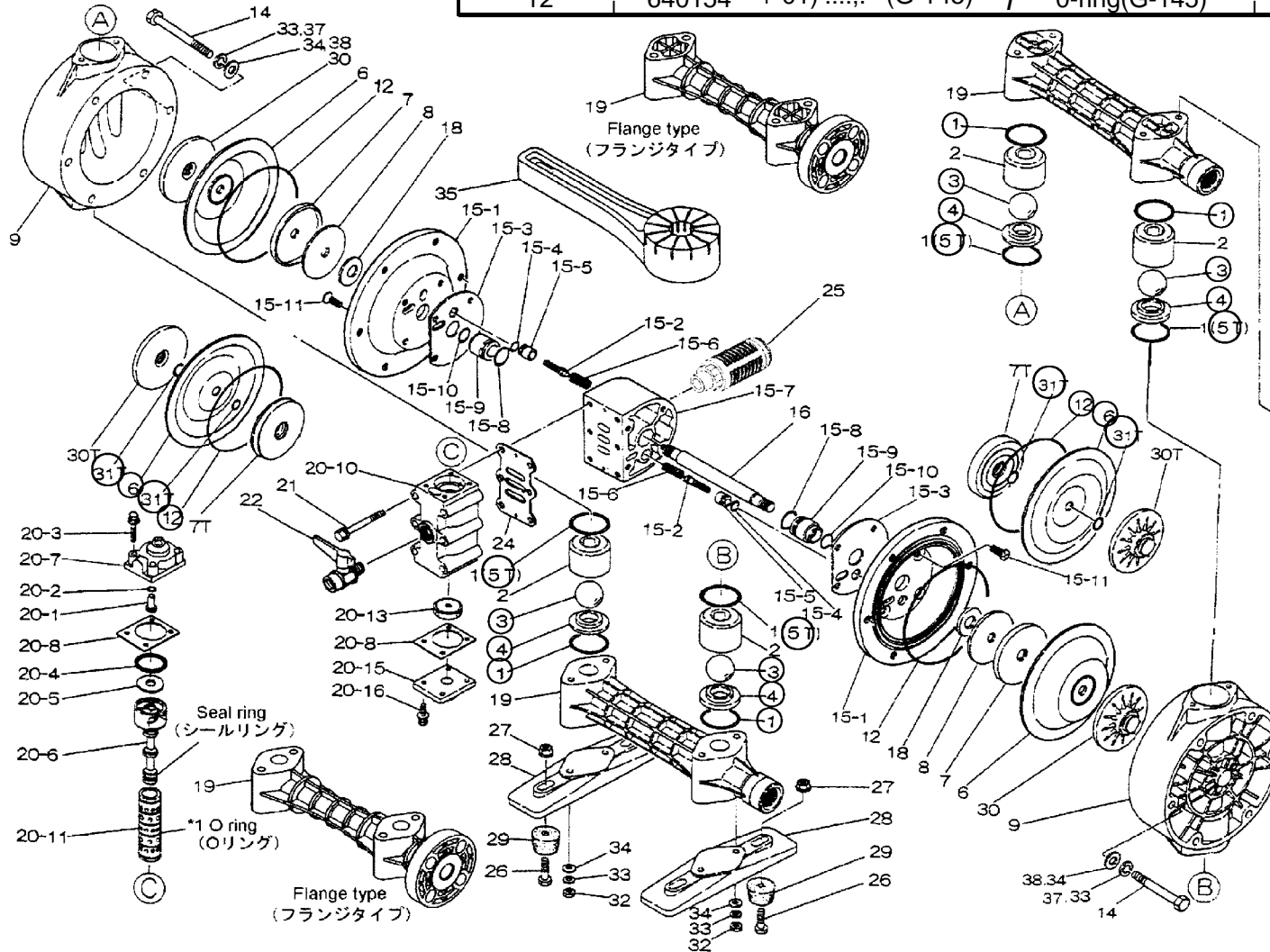
REF. NO.	PARTS NO.	DESCRIPTION	PARTS COMPONENT	REMARK	ORDER QTY
:0Atfj\$:-%	lmJllfj\$:-%	tm&b		{fnj}	*
1	643042	O RING 43.7MM X 3.5MM / 09;rP-44(77P/)	4		
2	773167	BALL GUIDE 25V / n.17''?T(PVDF)	4		
3	770691	BALL 25T -35MM PTFE / ir-I (PTFE) 253?	4		
4	780139	VALVE SEAT 25V / n.n. -r (PVDF)253?	4		
5T	643041	O RING 41.7MM X 3.5MM / o9;rP-42(77P/)	4		
6	771110	DIAPHRAGM 25T / 1.1777A(PTFE)253f;	2		
7T	709459	CENTER DISK 25T / t/1-7.1A7(25SUS)	2		
9	780136	OUT CHAMBER 25V / 7?rft/i\,- (PVDF)	2		
12	640154	O RING / 09/7''G-145 (NBR)	2		
13	710207	TIE ROD 25PP / 11P?r''	4		
14	621189	BOLT M10X1.50X90 HET P / *.Nr(SUS)10X1. 5X90	12		
15	804666	BODY ASSY / */117 17(25BP* Y.r9)	1		
15- 1	715940	AIR CHAMBER / :rft''V1 (25BP)	2		
15- 2	802360		2		
15- 3	771057	GASKET 20/25 / t''ATlr	2		
15- 4	640009	O RING 11MM X 2.5MM B / 09;rP-11 (NBR)	2		
15- 5	771945	PILOT VALVE SEAT 20/25 / n.n. -r (POM)	2		
15- 6	708666	SPRING 20/25 / no 9/r	2		
15- 7	711217	BODY / *.7''1(RC)PP	1		
15- 8	685276	O RING 23.3MMX2.4MM / 09/rJAS0-2023	2		
15- 9	772703	THROAT BEARING 20/25 N / AP-r''n;r	2		
15-10	685414	V-PACKING 20/25 / n I:\NBR MYA-18	2		
15-11	682486	BOLT FLAT HD WI WASHE / t7*.H (8X20)	8		
16	710271	CENTER ROD 25P&V / t11-plr	1		
18	771054	CUSHION 20/25 / 7il3/	2		
19	780211	MANIFOLD (25PVDF) JIS / 7::7:t-1W	2		
20	802700	VALVE ASSY / n.17''717 (RC)pp	1		
20- 1	709161	RESET BUTTON 20/25 / 9tIr*.I	1		
20- 2	640005	O RING 7.5MM X 2.0MM / 09;rP-8 (NBR)	1		
20- 3	682704	BOLT M6 FT ZINC W/ WAS / t7t'',\.*t"l:l-*"H	4		
20- 4	771241	PACKING 20/25 / ^0l:\-	1		
20- 5	715961	WASHER / t.t.*	1		
20- 6	802400	C SPOOL ASSY / ct.1A7° -H n	1		
20- 7	711219	CAP A 20/25PP / t''I7°	1		
20- 8	771240	GASKET 20/25 / t.Mlr	2		
20-10	711641	VALVE BODY / \.n.*.7.1 (Rc)PP	1		
20-11	803931	SLEEVE ASSY / A9-7.7 17(NDP-20.25)	1		
20-13	771914	CUSHION 20/25 / 71 3/(NDP-20.253?)	1		
20-15	711212	CAP B 20/25PP / t''I7°	1		
20-16	682262	BOLT M6 FT ZINC W/ WAS / Plt7tAA* . (M6X16)	4		
21	682265	BOLT M8 PT ZINC W/ WAS / *.Nr(W.SWlt 8X75)	6		
22	682772	BALL VALVE 3/8" / *.7/117'' (3/8)	1		
24	771056	GASKET 20/25 / t.A'Tlr	1		
25	804697	MUFFLER 20/25PP NEW / tlv/t-7 17(R3/4)	1		
26	611153	BOLT M8X1.25X35 HEX FT / *.H8X1. 25X35	4		
27	682276	NUT W/ FLANGE M8 X 1.2 / 77i::;1ttlr<8x1. 25)	4		
28	771749	BASE 25V / "._A(PPG7P)	2		
29	770551	FOOT RUBBER 15PP,20/25 / ::Ar:i	4		
30T	780128	CENTER DISK 25V-T / t/1-7'' 1M	2		
31T	643013	O RING 13.8MM X 2.4MM / 09/rP-14(77P/)	4		
32	683635	NUT 10/20F&20/25 M8X1 / M:: -rtlr M8X1. 25	8		
33	681300	SPRING WASHER M8 SS DI / *.t.t.* 8 (SUS)	8		
34	631329	WASHER FLAT M8 SS DIN / t7t.t.* 8 (SUS) t.t	8		
35	771244	TOOL 20/25PP&V / n'J::rir	2		
37	680257	SPRING WASHER M10 SS D / /\''H.t.Ho	12		
38	631330	WASHER FLAT M10 SS / t7t.t.* 10(SUS) t.t	12		

LK-25BVT

Repair Parts Kit (Liquid Side) for

NDP-25BVT	(852218)	(852219)
	(853853)	(853858)
NDP-P25BVT	(854194)	(854200)
	(854203)	(854206)

7:r	g	g :g	M	=*&
Ref. No.	Parts No.	Description	Material	Qty.
6	771110	9'-177 L / Diaphragm	PTfE	2
3	770691	#-)!,., / Ball	PTfE	4
4	780139)\JL.-:!'.....- " / Seat	PVDF	4
1	643042	01) :;.,- '(P-44) / 0-Ring(P-44)	PTfE	4
5T	643041	01) :;.,- '(P-42) / 0-Ring(P-42)	PTfE	4
31T	643013	01) :;.,- '(P-14) / 0-ring (P-14)	PTfE	4
12	640154	01) :;.,- '(G-145) / 0-ring(G-145)	NBR	2



32
34
f-13